

## Change to Gulper IC wiring

**DATE:** 24<sup>th</sup> May 2013

The difference between MK2 and MK3 is the wiring of the override switch. Figure1 shows the previous method to connect the Gulper IC pump to the battery. Figure2 shows the new MK3 wiring connections, note the change of position of the override switch.

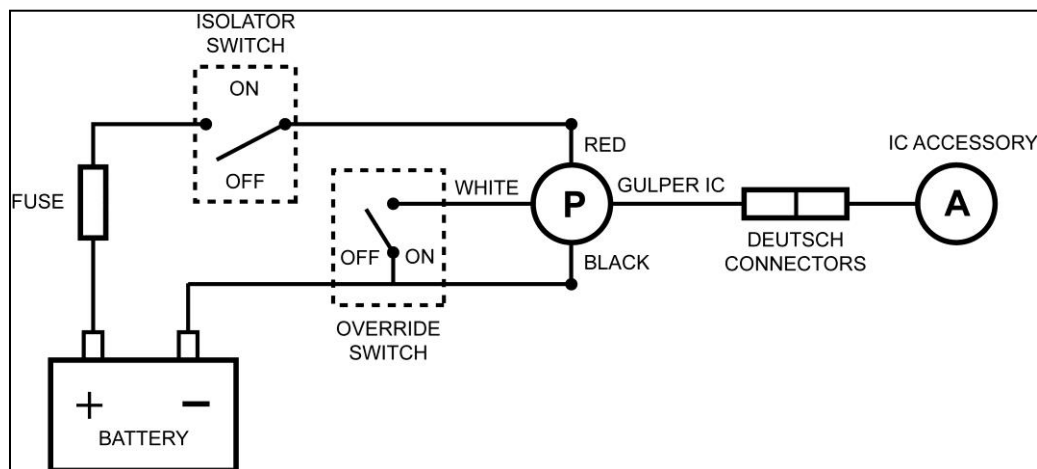


Figure 1: MK2 wiring diagram - negative override switch

(pre 24<sup>th</sup> May 2013)

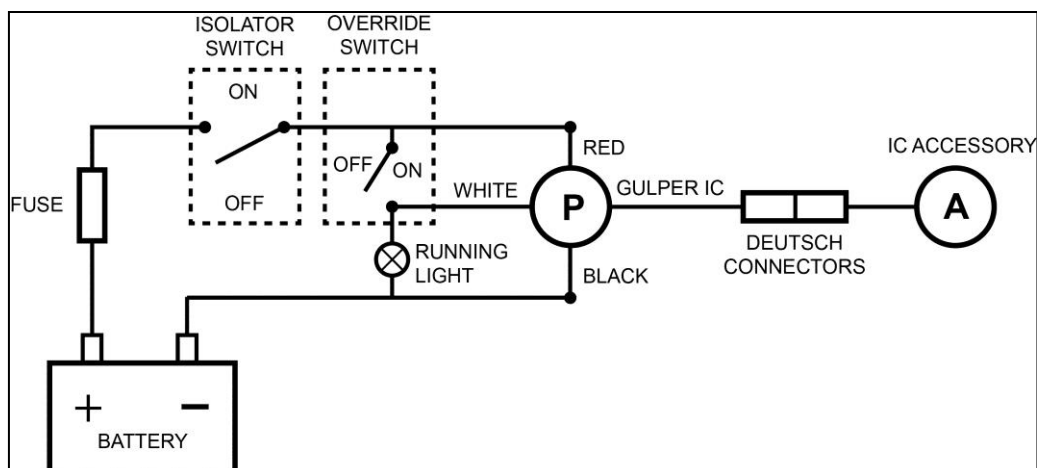


Figure 2: MK3 wiring diagram - positive override switch

(post 24<sup>th</sup> May 2013)