

**AIS Receiver**  
Built-in

**Class-D**  
DSC

**Waterproof**  
1m for 30 min.

## MT-550

DSC MARINE VHF WITH AIS RECEIVER



### Further safety aid with integrated **AIS receiver**

- Built-in dual channel AIS receiver
- Transfer the received AIS data to a plotter
  - \* NMEA VDM sentence output at 38400 baud.
  - \* Need to connect to an AIS capable plotter.
- Class-D DSC meets the EN 301-025
- Built-in CH70 watch receiver
- Position Send/Request function
- Large dot-matrix LCD
- LL position indication with GPS connected
- Channel name indication
- SELECT/ENT knob for channel/menu
- Alphanumeric keypad microphone
- One button instant access to CH16
- All available INT'L channels
- Priority, All and Memory Scan
- ATIS mode for inland waterways
- Flush mount kit included
- Waterproof equivalent to the JIS-7



# MT-550 DSC MARINE VHF WITH AIS RECEIVER

The MT-550 is advanced marine VHF from M-TECH, which is integrated with dual channel AIS (Automatic identification System) receiver for your safety aid on the sea. It monitors AIS channels (161.975/162.025) and receives AIS data from vessels fitted with AIS class A or B transponder around your vessel. It is simplified unit

with no AIS display. Received AIS data is automatically transferred to a connected plotter via NMEA interface. Also it has class-D DSC capabilities meets the EN 301-025 with inside separated CH70 watch receiver. Position Send/Request functions are available. Construction is waterproof equivalents to the JIS-7.

## SPECIFICATIONS

### GENERAL

|                         |   |
|-------------------------|---|
| Channels :              | All INT'L plus authorized local channels.                       |
| Dimensions :            | 160(W) x 69(H) x 165(D) mm.<br>Heat sink included. Not bracket. |
| Weight :                | 1.170 Kg with MIC.  |
| V <sub>dc</sub> Input : | 13.6Vdc.  |

### TRANSMITTER

|                                |   |
|--------------------------------|---|
| Output Power :                 | 25W / 1W.   |
| Tx Current :                   | 6 Amps @ 25W Tx. 1 Amp @ 1W Tx.   |
| Modulation :                   | G3E for Voice, G3B for DSC Data.  |
| Transmit Frequencies :         | 156.025MHz - 157.425MHz.  |
| Spurious /Harmonic Emissions : | Less than 0.25μW.   |
| Modulation Distortion :        | Less than 4% @ 1kHz for +/-3kHz deviation.  |
| Modulation Limiter :           | +/-5kHz deviation with 100% modulation.   |
| Frequency Response :           | +6dB / Octave slope within +1/-3dB from 300 to 2500Hz, 18dB/Octave beyond 3000Hz.<br>Audio Low Pass Filter is included. |
| Hum & Noise :                  | Less than -40dB.  |

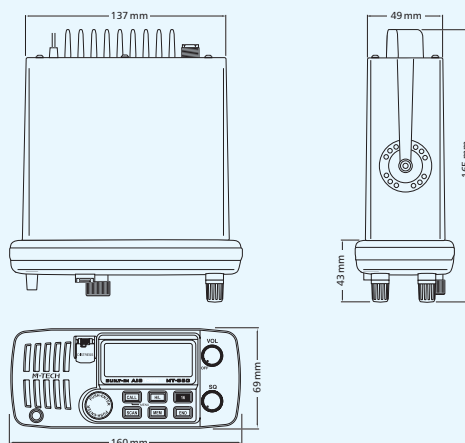
### RECEIVER

|                                     |   |
|-------------------------------------|---|
| Receive Frequencies :               | 156.300MHz - 162.000MHz.  |
| Sensitivity :                       | 0.5μV or less for 20dB SINAD.   |
| Squelch Range :                     | 0.25μV to 0.80μV @ full squelch.  |
| Audio Output Power :                | 3.0W min. @ 4ohms with less than 10% distortion.                              |
| Receiver Current :                  | 300mA in Standby.   |
| Modulation Acceptance :             | +/-7 kHz minimum.   |
| Adjacent Channel Selectivity :      | Less than -70dB for +/-25kHz.   |
| Image Rejection :                   | Less than -70dB.  |
| Intermodulation Spurious Response : | Less than -70dB.  |
| Noise Level :                       | Less than -40dB unsquelched.  |
| Audio Frequency Response :          | -6dB/Octave slope within +1/-3dB from 300 to 2500Hz, 18dB/Octave over 3000Hz. |

### RECEIVER (for AIS)

|                              |  |
|------------------------------|--|
| Receive Frequencies :        | 161.975MHz (AIS1) and 162.025MHz (AIS2). |
| Sensitivity :                | 1.0μV or less.                           |
| Image & Spurious Rejection : | Less than -70dB.                         |
| Local Oscillator Mode :      | PLL.                                     |

## DIMENSIONS



## SUPPLIED ACCESSORIES

- Power cable
- NMEA Data cable
- Mounting bracket
- Microphone hanger
- Flush mount kit

Specifications are subject to change without notice.

**M-TECH. YOUR SHIPMATE.**

E-mail. [info@m-techmarine.com](mailto:info@m-techmarine.com) <http://www.m-techmarine.com>

**pony**  
Electric

Manufacturer: **PONY ELECTRIC Corporation**

No. 202, 6-28, Akasaka 9-chome, Minato-ku, Tokyo 107-0052, Japan

Tel. +81 (0)3 3405 5733 Fax. +81 (0)3 3405 8677

K35013A ©2011 Pony Electric Corp. Printed in Japan