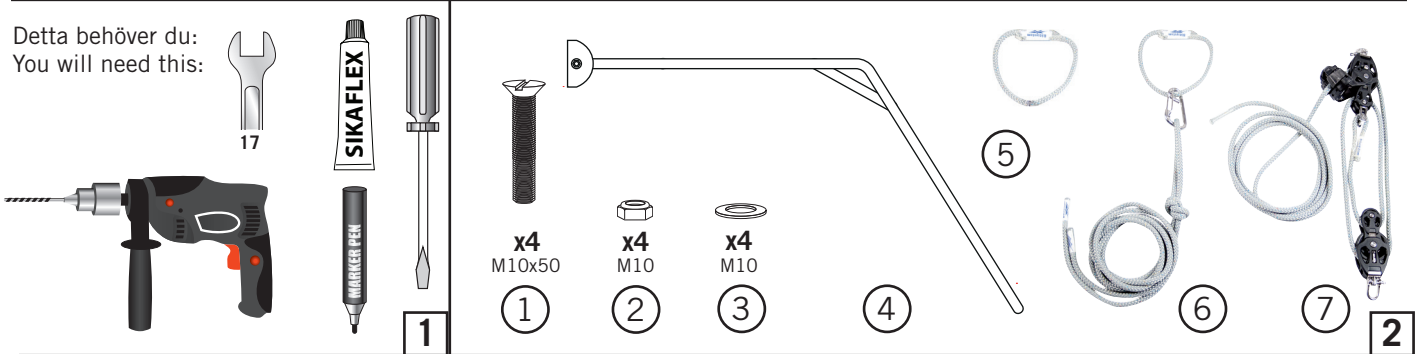




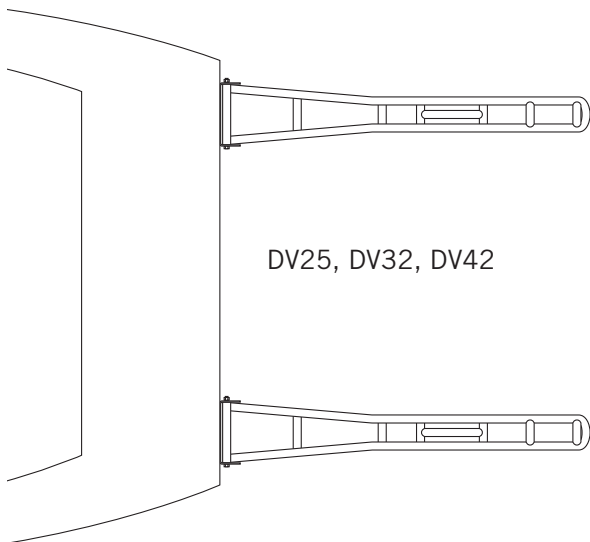
Detta behöver du:  
 You will need this:



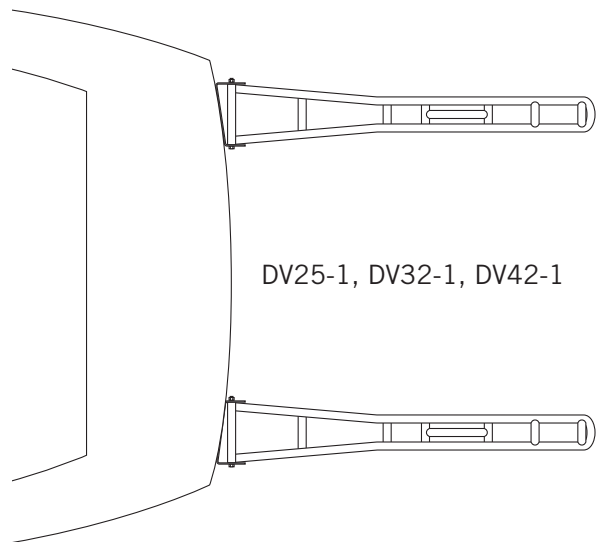
2xDV25: 2x50 kg

2xDV32: 2x100 kg

2xDV42: 2x150 kg



DV25, DV32, DV42



DV25-1, DV32-1, DV42-1

